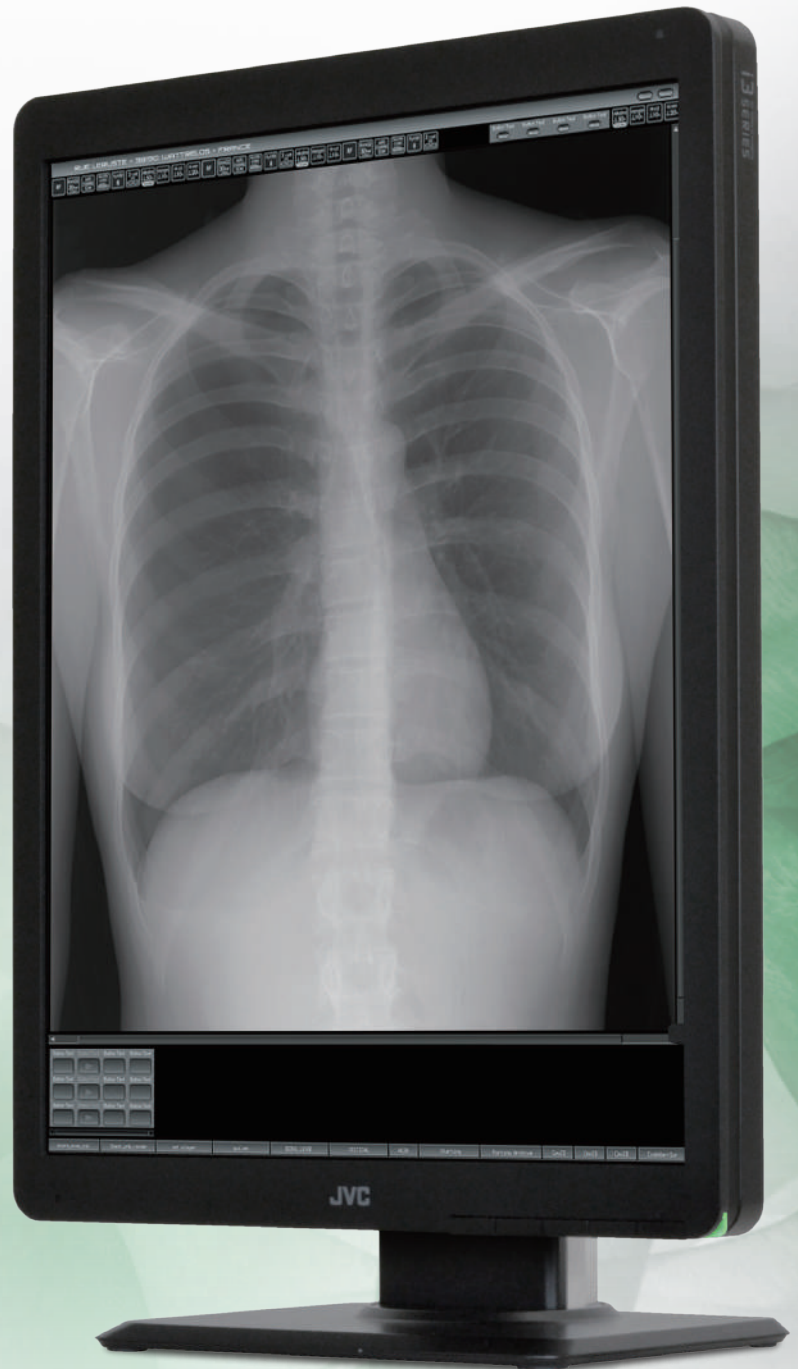


# JVC

3 Megapixel 21.3" Monochrome Monitor

# MS-S300

The gold standard in medical imaging



**i3** for Medical Imaging  
**SERIES**

3MP

21.3"

2000  
cd/m<sup>2</sup>

1500:1

DisplayPort  
&  
DVI-D

Front  
Sensor

9MsP  
Drive

Uniformity  
Equalizer

DisplayPort  
Daisy  
Chains

Human  
Presence  
Sensor

LED  
Backlight

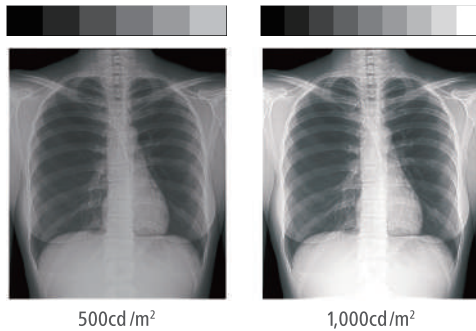
Protective  
Filter

# MS-S300

## Improved Diagnostic Visibility

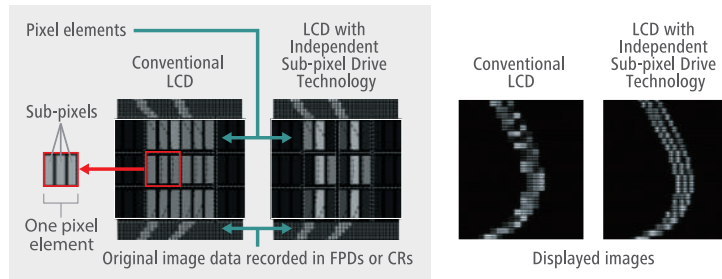
MS-S300 comes with 1,000 cd/m<sup>2</sup> calibration to make it the best solution for diagnostic imaging of DR, CT, MRI etc. The brighter screen dramatically increases the number of perceptual grayscale steps to improve visibility of structures. Diagnostic reading will be much more efficient.

Visual comparison (image)



## Independent Sub-pixel Drive Technology

This unique technology enables MS-S300 to render 9 mega sub-pixel images, exceeding the current standards for primary mammography diagnosis. MS-S300 is cleared for FDA 510(k) for the use of digital mammography and breast tomosynthesis.

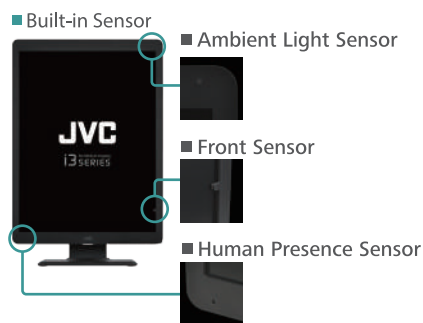


\*Customized viewer is required

\*Independent Sub pixel Drive technology is built in MS series only

## Advanced Features

- Protective Filter
- LED Indicator / Front Buttons
- Built-in Sensor
- Space Saving
- Wire Management / DisplayPort Daisy Chains
- DICOM Conformance Check

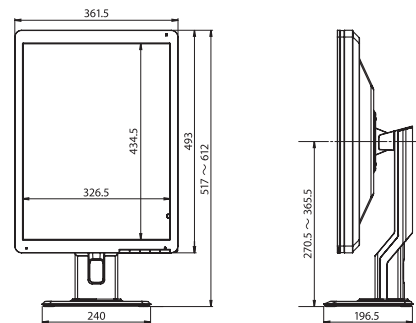


●“JVC” is a brand of medical and industrial monitors manufactured and sold by JVCKENWOOD Corporation. ●Company names and product names are the registered trademarks of the respective companies. ●Product specifications and appearance are subject to change without notice. ●Colors in photographs may differ from actual colors due to the printing process. ●Images on screens are simulated.

## Specifications

<b>Model Name</b>		MS-S300
<b>LCD Panel</b>	<b>Technology</b>	21.3" monochrome TFT IPS technology
	<b>Display Area</b>	324 mm × 433 mm
	<b>Pixel Pitch</b>	0.2115 mm × 0.2115 mm
	<b>Maximum Luminance</b>	2000 cd/m <sup>2</sup> (typ.) 1000 cd/m <sup>2</sup> / 500 cd/m <sup>2</sup> (calibrated)
	<b>Contrast Ratio</b>	1500 : 1 (typ.)
	<b>Viewing Angle</b>	178° vertical and horizontal
<b>Visual Performance</b>	<b>Native Resolution</b>	1536 × 2048 (Independent Sub-pixel Drive technology ON : 1536 × 6144)
	<b>Display Colors</b>	256 shades of grayscale are simultaneously displayed from a palette of 16,369 grayscale steps *1024 or 10-bit shades of grayscale with DisplayPort and 10-bit viewer *1276 shades of grayscale by using Independent Sub-pixel Drive technology
<b>Interface</b>	<b>Input Signal</b>	DVI-D (DVI 1.0 compliant) DisplayPort (DisplayPort 1.2a compliant)
	<b>Output Signal</b>	DisplayPort (DisplayPort 1.2a compliant)
	<b>Plug and Play</b>	DDC2B compliant
<b>Input Power Supply</b>	<b>Input Power Supply</b>	100 V - 240 V 50 / 60 Hz
	<b>Power Consumption</b>	35 W (typ.)
<b>Features</b>	<b>Calibration Control</b>	Luminance, Gamma Capable of storing 3 sets of LUT (Optional Calibration Kit is required)
	<b>OSD Information Display</b>	Model name, Serial No., Total operating time, Calibration settings (Operating time since last calibration, Luminance, Gamma), Current Luminance and Ambient Light, DICOM conformance
	<b>USB Hub</b>	USB Rev.2 compliant, Self-powered USB upstream connector (×1), USB downstream connector (×2)
	<b>Other Features</b>	Uniformity Equalizer, Hardware pivot, LED indicator, Advanced power management, Human Presence Sensor, Independent Sub-pixel Drive technology, Auto Text Mode, Luminance stabilization, Multiple LUT, Self DICOM check, Self-calibration
<b>Approvals</b>		ANSI/AAMI ES60601-1 (2005) + A1 (2012), CAN/CSA-C22.2 No. 60601-1 (2014), CE (EN60601-1, EN60601-1-2), FCC Part15 subpart B Class B, ICES-003-B, VCCI-B, RCM, J-Moss, RoHS, EAC
<b>FDA</b>		510(k) Cleared to use for diagnostic purposes with digital medical images for Digital mammography PACS, Modalities including FFDM, and Breast tomosynthesis
<b>Physical Characteristics</b>	<b>Dimensions (W × H × D)</b>	Landscape : 493 mm × 451.3 / 546.3 mm × 196.5 mm Portrait : 361.5 mm × 517 / 612 mm × 196.5 mm
	<b>Weight</b>	approx. 10.2 kg
	<b>Tilt Stand</b>	Tilt, Swivel, Portrait / Landscape
	<b>Mount</b>	VESA standard (100 mm × 100 mm)
<b>Accessories</b>		Power cord, DVI cable, DisplayPort cable, USB cable, Operation manual, Installation manual, Software (QA Medivisor Agent LE)

## Dimensions (mm)



## Options

### Calibration Kit CAL-016

- QA and calibration software [QA Medivisor Agent]
- Calibration sensor



 <b>Safety Precautions</b>	<ul style="list-style-type: none"> <li>●Please read the user's manual for safe and proper use.</li> <li>●Do not expose the product to dust, moisture, steam, or oily smoke. It could cause fire, electric shock, or a failure.</li> </ul>
-------------------------------	---

Please contact our distributor below with inquiries and orders.

Healthcare Business Division  
 JVCKENWOOD Corporation  
 3-12, Moriya-cho, Kanagawa-ku, Yokohama-shi, Kanagawa, 221-0022, JAPAN  
 TEL: +81-45-450-1908 FAX: +81-45-450-1926  
 E mail : medical-display.j@jvckenwood.com  
 JVC Healthcare Website : <http://healthcare.jvc.com/>