

JVC

1.3 Megapixel 19" Touch Panel Color Monitor

CV932PJ



Dual Input Analog and Digital High Performance
19" Touch Panel Color Monitor with DICOM Preset

19" 250 cd/m² LED Backlight 1000:1 DICOM Preset Resistive Touch Screen

Multiple Interface

Supports to both USB and RS-232C interface.

Power Save Function

The power save function puts the monitor in power save mode when a sync or input signal is lost and reduces power consumption below 0.5W.

*When using the touch panel, do not activate the power save function of the system. Use the monitor power switch in conjunction with the system to avoid unstable operation of the touch panel.

Excellent cost performance

The 19-inch LCD monitor CV932PJ offers the resolution of SXGA and various adjustability including gamma settings and color temperature.

Resistive touch screen

Using resistive 5 wire touch technology offers perfect accuracy even when using gloves.



Multilingual OSD Interface

Supports to change the OSD language.
(English, German, French, Spanish, Chinese and Japanese)

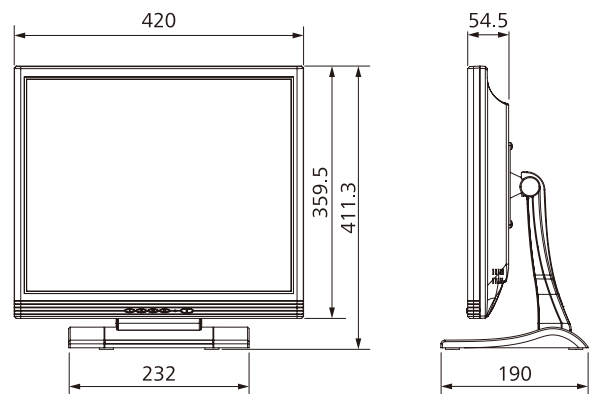
Interface



Specifications

Model Name		CV932PJ/B : Black
LCD Panel	Technology	19" color TFT, normally black
	Display Area	374.78 mm × 299.82 mm
	Pixel Pitch	0.293 mm × 0.293 mm
	Contrast Ratio	1000 : 1 (typ.)
	Maximum Luminance	250 cd/m ² (typ.)
	Viewing Angle	178° vertical and horizontal
Touch Panel		5-wire Resistive Touch Screen
Visual Performance	Resolution	1280 × 1024
	Display Colors	16.77 million colors
Interface		Digital: DVI-D (DVI 1.0 compliant) Analog: Analog RGB (D-Sub 15 pin)
Input sync signal (analog)		H sync: 30 - 82 kHz V sync: 56 - 77 Hz
Audio		Input: 3.5 mm Stereo Jack Output: 0.5W × 2 (Stereo Speaker)
OSD Information Display		Model name, Serial No., Total operating time, Image adjust, Contrast, Brightness, Black Level, Position, Language, etc Color Adjust: Cool, Standard, Warm, User, DICOM
Input Power Supply		AC adapter 100-240V, 50/60Hz, 1.5A
Maximum Power Consumption		23W (max.)
Approvals		IEC60950-1, CE (EN55032, EN55024), FCC Part15 subpart B Class B, ICES-003-B, UL60950-1, VCCI-B, RoHS2, REACH, WEEE
Dimensions (W × H × D)		420.0 (W) × 411.3 (H) × 190.0 (D) mm
Weight		approx. 5.1 kg
Mount		VESA standard (100 mm × 100 mm)
Security Slot		Anti-theft security slots
Accessories		AC adapter, Power cord (Europe, UK), VGA cable, DP-DVI cable, USB cable, Audio cable, Cord clamp, User manual

Dimensions (mm)



●“JVC” is a brand of medical and industrial monitors manufactured and sold by JVCKENWOOD Corporation. ●Company names and product names are the registered trademarks of the respective companies. ●Product specifications and appearance are subject to change without notice. ●Colors in photographs may differ from actual colors due to the printing process. ●Images on screens are simulated.

Safety Precautions

- Please read the user's manual for safe and proper use.
- Do not expose the product to dust, moisture, steam, or oily smoke. It could cause fire, electric shock, or a failure.

Please contact our distributor below with inquiries and orders.

Healthcare Business Division
JVCKENWOOD Corporation
3-12, Moriya-cho, Kanagawa-ku, Yokohama-shi, Kanagawa, 221-0022, JAPAN
TEL: +81-45-450-1908 FAX: +81-45-450-1926
E mail : medical-display.j@jvckenwood.com
JVC Healthcare Website : <http://healthcare.jvc.com/>