

# JVC

2 Megapixel 21.3" Color Monitor

# CL-R211



## 2 Megapixel Color Monitor

Premium design and high cost effective  
2MP color monitor in pursuit of enhanced functions

21.3"

500  
cd/m<sup>2</sup>

1800:1

16Bit  
LUT

DisplayPort  
&  
DVI-D

Calibration  
Function

Color  
Front  
Sensor

Uniformity  
Equalizer

Dynamic  
Gamma

Auto  
Text  
Mode

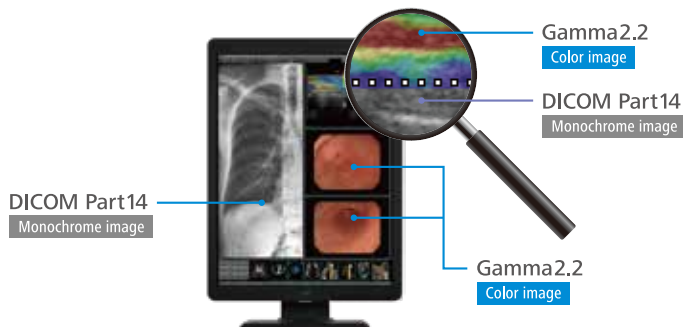
DisplayPort  
Daisy  
Chains

Human  
Presence  
Sensor

LED  
Backlight

## Dynamic Gamma

Color Images are automatically recognized to provide optimized contrast, brightness and gamma. No user intervention is required.



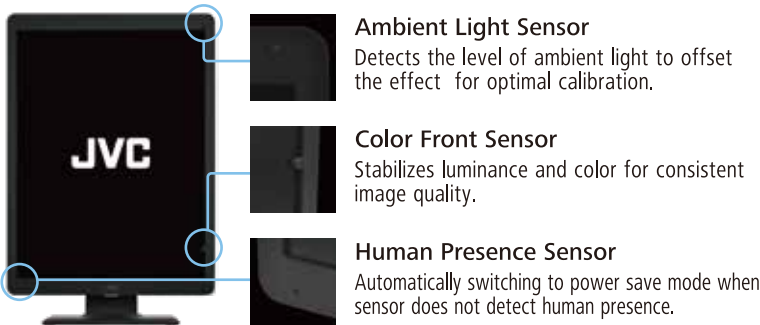
## Integrated QA Solution **QA Medivisor Agent** (Option)

QA Medivisor Agent providing calibration and QA standard testing capabilities through an intuitive and easy to navigate user interface makes it effective to manage day-to-day operation in the radiology department. Simplified calibration scheduling tool QA Medivisor Agent LE is included.



\* Optional calibration kit CAL-016 is required for standard QA testing.

## Built-in Sensor



## Space Saving

The new design of the CL-R211 reduces 25% of the stand footprint compared to the conventional models.

## DisplayPort Daisy Chains

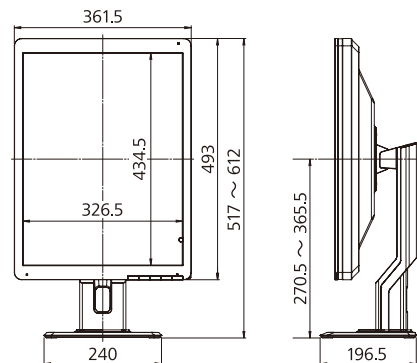
With the DisplayPort 1.2, the use of daisy chains allows for easier wiring connections.

●“JVC” is a brand of medical and industrial monitors manufactured and sold by JVCKENWOOD Corporation. ●Company names and product names are the registered trademarks of the respective companies. ●Product specifications and appearance are subject to change without notice. ●Colors in photographs may differ from actual colors due to the printing process. ●Images on screens are simulated.

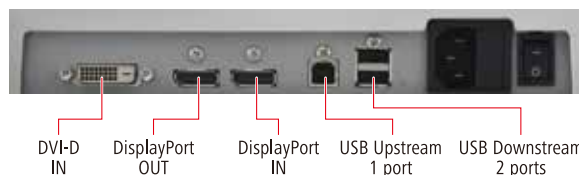
## Specifications

<b>Model Name</b>		CL-R211
<b>LCD Panel</b>	<b>Technology</b>	21.3" color TFT IPS technology
	<b>Display Area</b>	324 mm × 432 mm
	<b>Pixel Pitch</b>	0.270 mm × 0.270 mm
	<b>Contrast Ratio</b>	1800 : 1 (typ.)
	<b>Maximum Luminance</b>	500 cd/m <sup>2</sup> (typ.) 280 cd/m <sup>2</sup> · 250 cd/m <sup>2</sup> (calibrated)
<b>Visual Performance</b>	<b>Viewing Angle</b>	178° vertical and horizontal
	<b>Native Resolution</b>	1200 × 1600
<b>Interface</b>	<b>Input Signal</b>	DVI-D (DVI 1.0 compliant) DisplayPort (DisplayPort 1.2a compliant)
	<b>Output Signal</b>	DisplayPort (DisplayPort 1.2a compliant) (daisy chain)
<b>Input Power Supply</b>	<b>Plug and Play</b>	DDC2B compliant
	<b>Input Power Supply</b>	100 V - 240 V 50 / 60Hz
<b>Features</b>	<b>Maximum Power Consumption</b>	45 W (typ.)
	<b>Calibration Control</b>	Luminance, Gamma, Color temperature Capable of storing 3 sets of LUT (Optional Calibration Kit is required)
	<b>OSD Information Display</b>	Model name, Serial No., Total operating time, Calibration settings (Operating time since last calibration, Luminance, Gamma), Current luminance, Color temperature and Ambient light, DICOM conformance
	<b>USB Hub</b>	USB Rev.2.0 compliant, Self-powered USB upstream connector (×1), USB downstream connector (×2)
<b>Other Features</b>		Uniformity Equalizer, Hardware pivot, LED indicator, DisplayPort Daisy Chains, Advanced power management, Human Presence Sensor, Dynamic Gamma, Auto Text Mode, Luminance stabilization, Multiple LUT, Self DICOM check, Self-calibration
<b>Approvals</b>		ANSI/AAMI ES60601-1 (2005) + A1 (2012), CAN/CSA-C22.2 No.60601-1 (2014), CE (EN60601-1, EN60601-1-2), RCM, FCC Part15 subpart B Class B, ICES-003-B, VCCI-B, FDA510(k), J-Moss, RoHS
<b>Physical Characteristics</b>	<b>Dimensions (W × H × D)</b>	Landscape : 493 mm × 451.3 / 546.3 mm × 196.5 mm Portrait : 361.5 mm × 517 / 612 mm × 196.5 mm
	<b>Weight</b>	8.9 kg
	<b>Tilt Stand</b>	Tilt, Swivel, Portrait / Landscape
	<b>Mount</b>	VESA standard (100 mm × 100 mm)
<b>Security Slot</b>		Anti-theft security slot
<b>Accessories</b>		Power cord, DVI cable, DisplayPort cable, USB cable, Operation manual, Installation manual, Software (QA Medivisor Agent LE)

## Dimensions (mm)



## Interface



### Safety Precautions

- Please read the user's manual for safe and proper use.
- Do not expose the product to dust, moisture, steam, or oily smoke. It could cause fire, electric shock, or a failure.

Please contact our distributor below with inquiries and orders.

Healthcare Business Division  
JVCKENWOOD Corporation  
3-12, Moriya-cho, Kanagawa-ku, Yokohama-shi, Kanagawa, 221-0022, JAPAN  
TEL: +81-45-450-1908 FAX: +81-45-450-1926  
E mail : medical-display.j@jvckenwood.com  
JVC Healthcare Website : <http://healthcare.jvc.com/>