

JVC

Full HD 27" Color LCD Monitor
CL-E270



Full HD 27" wide monitor with flat design for high-definition endoscopy/surgical images

Full HD 27" 300 cd/m² 1000:1 Multi Source PinP PbyP Calibration Function AR Front Glass IPS

Full HD 27" Color LCD Monitor

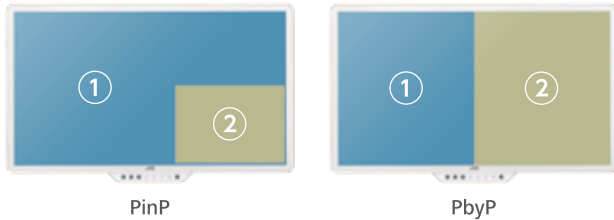
CL-E270

IPS Panel Technology

IPS panel technology provides high brightness, a wide viewing angle and accuracy in color.

Picture-in-Picture (PinP) and Picture-by-Picture (PbyP)

These features allow two videos/images from multiple signal inputs to be displayed simultaneously so that surgeons can effectively obtain required information.



Hygienic Flat Design

A completely flat surface allows for easy cleaning. Furthermore, the waterproof front (IP45) glass with anti-reflecting coating protects the monitor from shocks, scratches and dust.



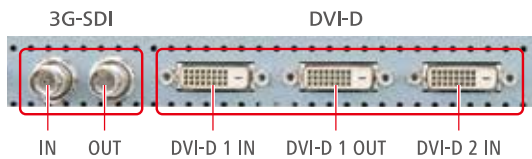
Capacitive Touch Controller

Capacitive touch controller located slightly back of the surface to prevent misoperation enables ease of operation.



Multi-interface

CL-E270 supports multiple interfaces including DVI-D and 3G-SDI for both input and output.



Built-in Power Supply

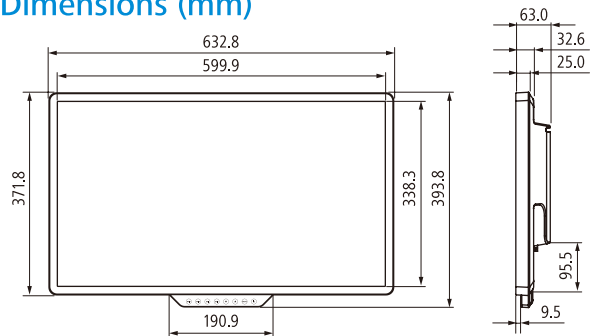
Built-in power supply contributes to easy cable management.

Specifications

Model Name		CL-E270
LCD Panel	Size	27-inch
	Technology	TFT color active matrix IPS technology
	Display Area	597.8 mm × 336.3 mm
	Pixel Pitch	0.311 mm × 0.311 mm
	Maximum Luminance	300 cd/m ² (typ.)
	Contrast Ratio	1000 : 1 (typ.)
	Viewing Angle	178° vertical and horizontal
Visual Performance	Native Resolution	1920 × 1080
	Display Colors	16.77 million colors from a palette of 1.06 billion colors
Interface	Input Signal	DVI-D × 2, 3G-SDI × 1
	Output Signal	DVI-D, 3G-SDI
	Plug and Play	DDC2B compliant
	Control signal, etc.	RS-232C (D-sub 9 pin), USB (Type-B)
Input Power Supply	Input Power Supply	AC100 - 240V 50 / 60Hz
	Power Consumption	Maximum : 40W (typ.) Power save : 6.0W
Features	Calibration Control	Luminance, Gamma, Color temperature (Optional Calibration Kit is required)
	Other Features	Picture-in-Picture, Picture-by-Picture
Approvals		ANSI / AAMI ES60601-1 (2005) +A1 (2012), CAN / CSA-C22.2 No. 60601-1 (2014), CE (EN60601-1, EN60601-1-2), FCC Part15 subpart B Class B, ICES-003-B, VCCI-B, J-Moss, RoHS
Physical Characteristics	Dimensions (W × H × D)	632.8 mm × 393.8 mm × 63 mm
	Weight	approx. 7.6 kg
	Mount	VESA standard (100 mm × 100 mm)
Accessories		Power cord, DVI cable, VESA mount screw (×4), Operation manual

Input	supported signals
3G-SDI	720p / 24, 25, 30, 50, 60, 1080i / 50, 60, 1080p / 24, 25, 30, 50, 60, 1080PsF / 24, 25, 30
DVI-D	VGA, SVGA, SXGA, Full HD, UXGA, WUXGA

Dimensions (mm)



Options

Calibration Kit CAL-016

- QA and calibration software [QA Medivisor Agent]
- Calibration sensor



●“JVC” is a brand of medical and industrial monitors manufactured and sold by JVCKENWOOD Corporation. ●Company names and product names are the registered trademarks of the respective companies. ●Product specifications and appearance are subject to change without notice. ●Colors in photographs may differ from actual colors due to the printing process. ●Images on screens are simulated.

 Safety Precautions	<ul style="list-style-type: none"> ●Please read the user's manual for safe and proper use. ●Do not expose the product to dust, moisture, steam, or oily smoke. It could cause fire, electric shock, or a failure.
Healthcare Business Division JVCKENWOOD Corporation 3-12, Moriya-cho, Kanagawa-ku, Yokohama-shi, Kanagawa, 221-0022, JAPAN TEL: +81-45-450-1908 FAX: +81-45-450-1926 E mail : medical-display.j@jvckenwood.com JVC Healthcare Website : http://healthcare.jvc.com/	

Please contact our distributor below with inquiries and orders.
